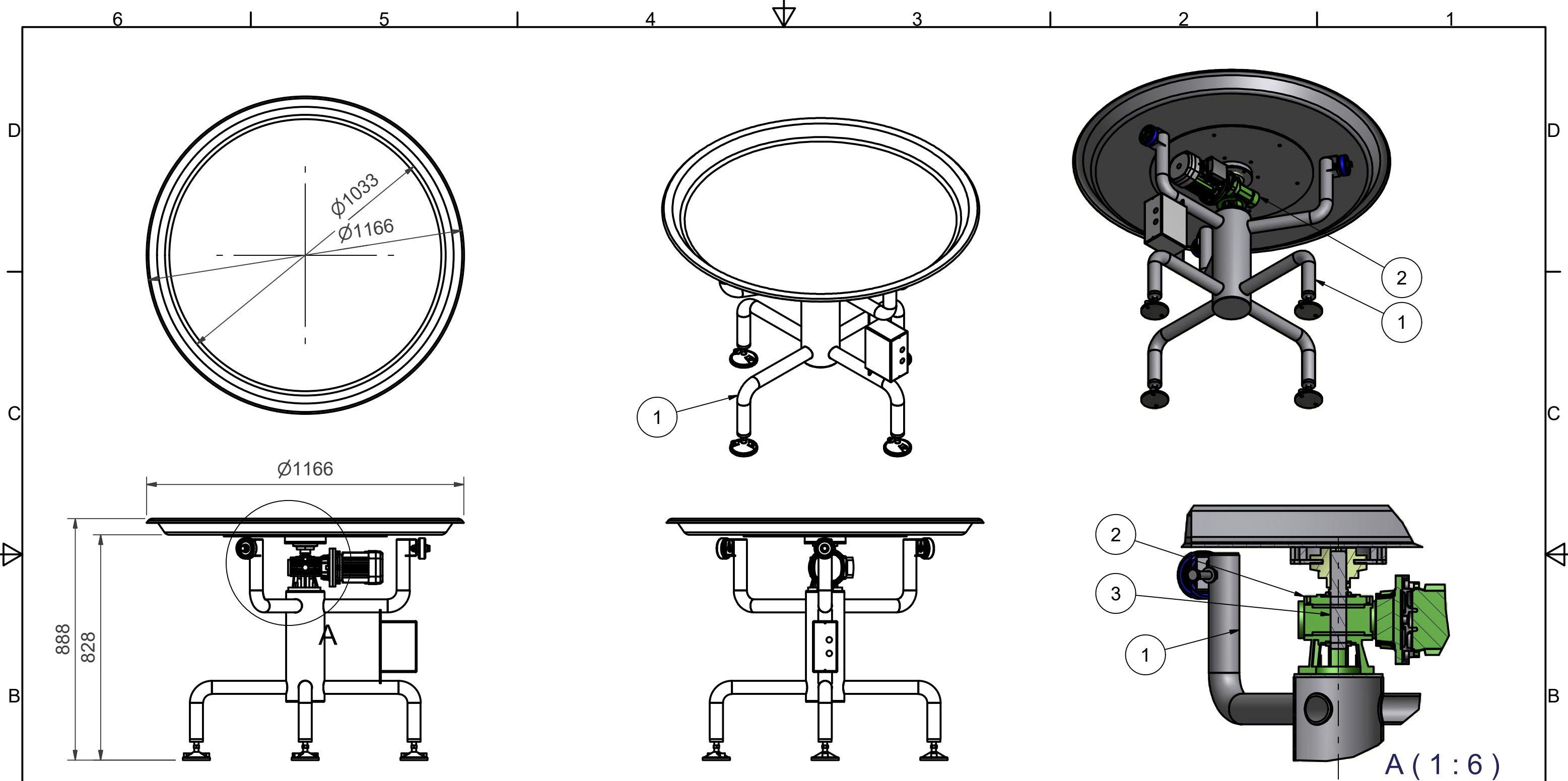


Enmin Rotary Table



<p>This document contains Enmin Pty Ltd confidential and trade secret information and is given to the receiver in confidence who agrees that, except with Enmin Pty Ltd prior expressed written permission it will (1) not use or disclose to others the document or any copy thereof or confidential or trade secret information contained therein and (2) not copy or reproduce this document, whole or part.</p>	Designed by	Date	<p>General Tolerances: Australian Standards, ISO metric Screw threads: medium fit (H6 g6) No decimal: ± 0.5mm/ degree One decimal: ± 0.1mm/ degree Two Decimals: ± 0.01mm/ degree (Unless otherwise stated)</p>	Title		
	<p>Enmin Vibratory Equipment Ph 03 9753 3633 Fax 03 9753 3796 12 Kingsley Close Rowville Vic 3178 www.enmin.com.au</p>			1/02/2018	ENMIN ROTARY TABLE	
			Drawing No	Revision	Sheet	1/2



Parts List			
ITEM	QTY	PART NUMBER	DESCRIPTION
1	1	1505-003	Turn Table - Support Frame Fabrication
2	1	VFR49F 180 P63 B5 BN63	Bonfiglioli Geared Motor: 0.12Kw at 7.3rpm / t-box=W / mount pos. = B6
3	1	1505-129	Bonfiglioli Shaft VF49 - Drive Shaft
4	1	1505-002	Rotary Table Top Fabrication

This document contains Enmin Pty Ltd confidential and trade secret information and is given to the receiver in confidence who agrees that, except with Enmin Pty Ltd prior expressed written permission it will (1) not use or disclose to others the document or any copy thereof or confidential or trade secret information contained therein and (2) not copy or reproduce this document, whole or part.	Designed by	Date	General Tolerances: Australian Standards, ISO metric Screw threads: medium fit (H6 g6) No decimal: ± 0.5mm/ degree One decimal: ± 0.1mm/ degree Two Decimals: ± 0.01mm/ degree (Unless otherwise stated)	Title	
		1/02/2018		ENMIN ROTARY TABLE	
		Drawing No	Revision	Sheet	
				2 / 2	